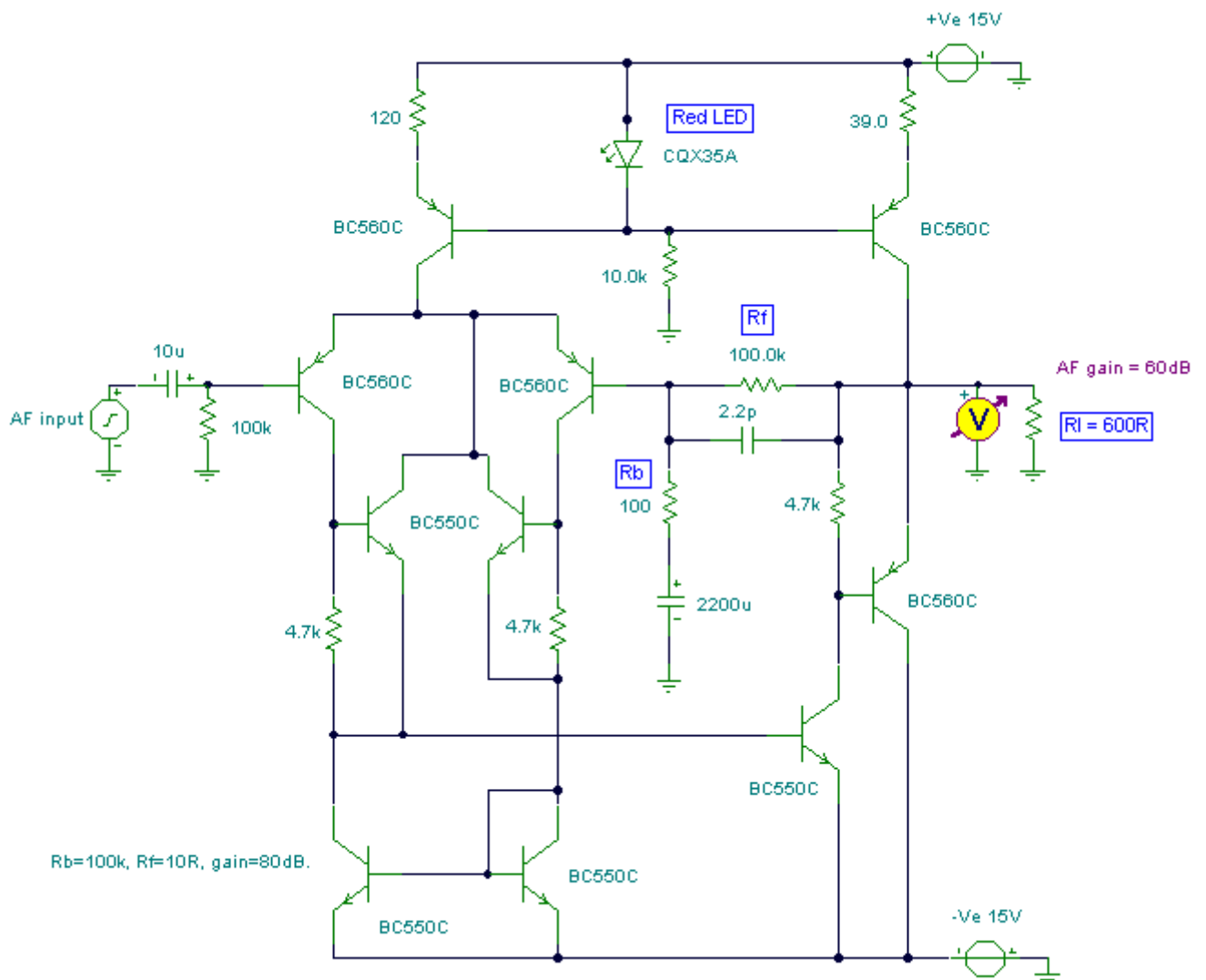


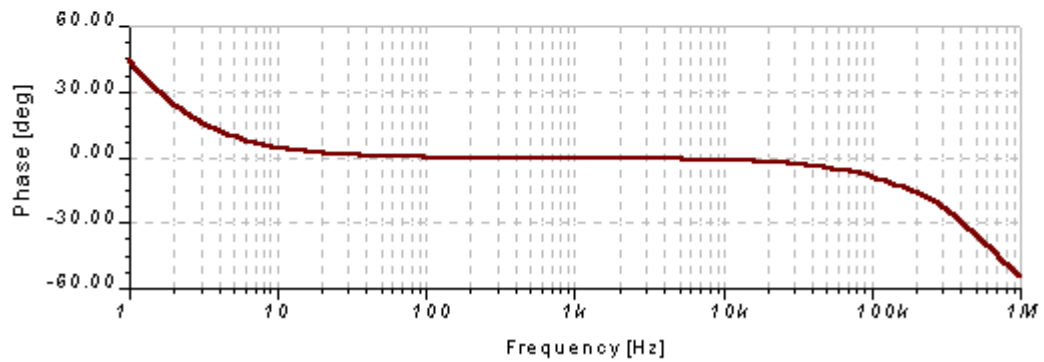
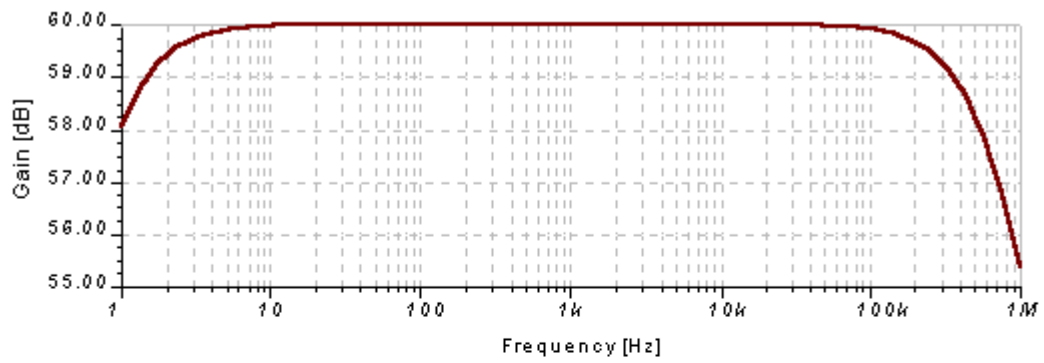
# Hi-Fi Preamplifier

## Notes:

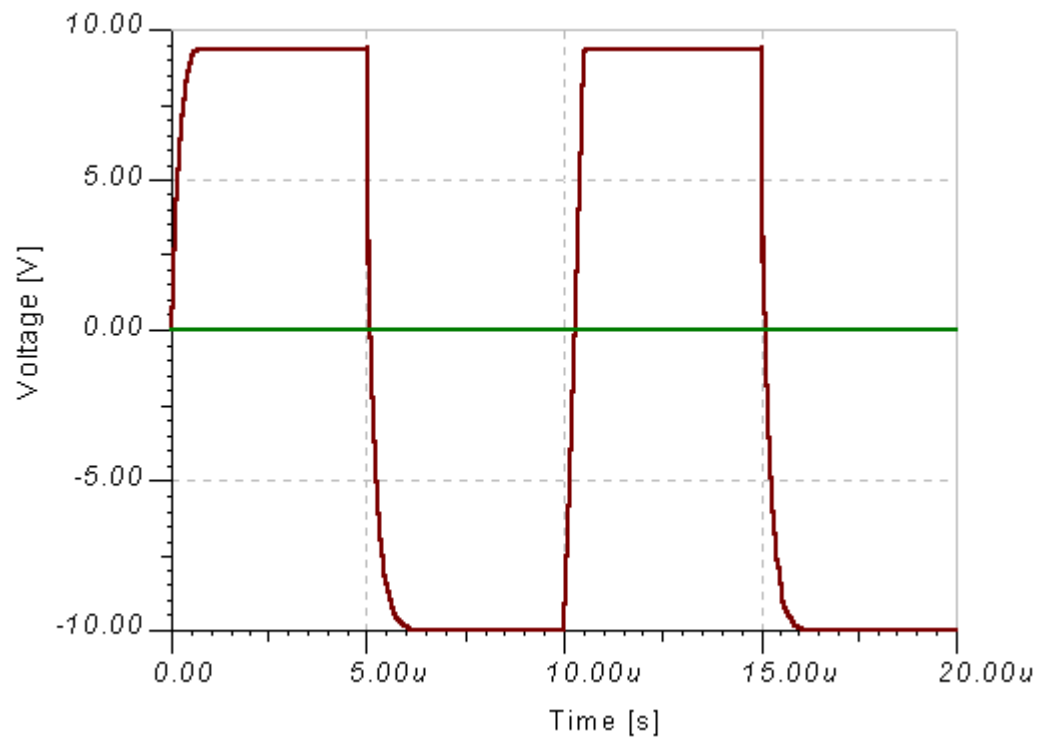
This circuit was submitted by Graham Maynard from Newtownabbey, Northern Ireland. It has an exceptionally fast high frequency response, as demonstrated by applying an 100kHz squarewave to the input. All graphs were produced using Tina Pro.



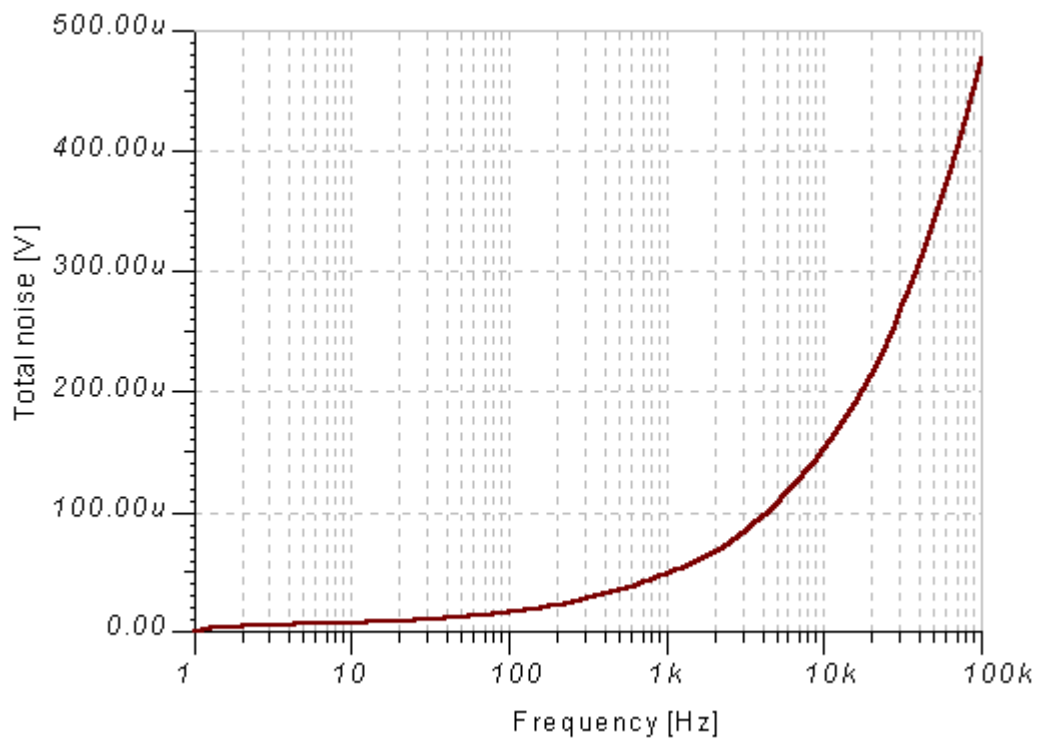
## The Preamp's Bode Response



## Squarewave Response with 100kHz Input Signal Applied



### Total Noise at Output Measured with 600R Load



### Signal to Noise Ratio at Output

